

GROVE

ANTRIEB UNTERWAGEN 6X6
DRIVE UNIT FOR CHASSIS FRAME 6X6

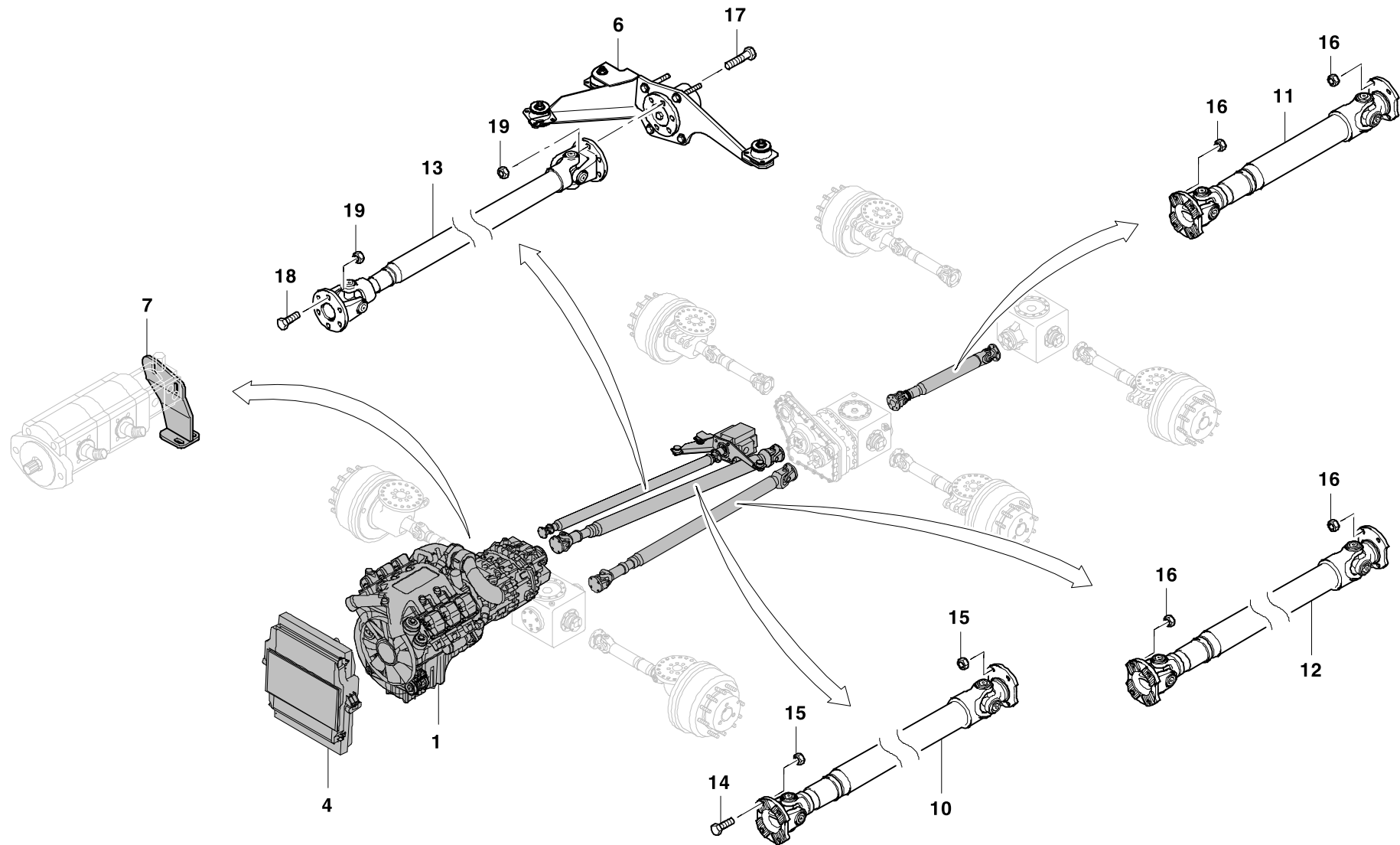
BILDTAFEL
PICTORIAL DISPLAY

05.09

3153493-ETL A

1/2

GMK 3055
BE 503
G 631



GROVEANTRIEB UNTERWAGEN 6X6
DRIVE UNIT FOR CHASSIS FRAME 6X6BILDТАFЕL
PICTORIAL DISPLAY

05.09

3153493-ETL A

2/2

**GMK 3055
BE 503
G 631**